

Effective Jan. 1, 2022

CUSTOMER-OWNED RENEWABLE GENERATION

RENEWABLE GENERATION UP TO 100 kW_{AC}

How does the program work?

Owners of renewable generation up to 100 kW_{AC} sell all the electrical output to LES.

How will you be compensated?

LES will purchase all energy generated as according to the Renewable Generation Rate. The payment will be made on a monthly basis. Other applicable fees and charges, including the customer and facilities charge will be billed to the customer.

In addition, customers whose system is installed by a participant in LES' Solar Trade Ally Network may qualify for a one-time capacity payment. A list of participants is available at www.LES.com/Solar. This limited-time incentive is determined by the system size and direction the system is facing, for example:

- **Southern facing fixed-photovoltaic solar** - the unit's nameplate DC capacity (kW) x \$375. The tilt of the panel must be greater than zero (0).
- **Western facing or single or dual axis tracking fixed-photovoltaic solar** - the unit's nameplate DC capacity (kW) x \$475. The tilt of the panel must be greater than zero (0).

- **Wind** - No capacity payment.
- **Other technologies** - \$1,000 x the average net demand output of the generation (kW) at 5 p.m. during the months of July and August (as determined by LES).

Safety requirements

An outside-mounted visible disconnect switch shall be installed on the owner's side of the point of delivery near the meter or some other mutually agreed location. Such equipment must be capable of preventing the renewable generation from energizing the LES service wires and must include a device which, at LES' discretion, allows LES employees to operate and lock in place. For the safety of LES personnel and the electrical system, interconnection of any power-generating device to LES power lines must have a permit, be inspected and be approved prior to operation.

In addition to the required disconnect switch, your inverter must meet the current UL 1741 and IEEE 1547 specifications.



FOR MORE INFORMATION

Visit LES.com/Solar or contact an LES Energy Services specialist at 402.475.4211 or energyservices@LES.com.

Step 1: Plan

- Submit Nebraska Power Review Board approval or exemption documentation no later than 30 days prior to construction. Contact the Nebraska Power Review Board at 402.471.2301 for procedures to seek approval or exemption for your project.
- Learn more about Renewable Generation at [LES.com/MyGen](https://www.les.com/MyGen).
- Your installer submits a Renewable Generation Application, signed copy of the LES Solar Buyer's Checklist and other required documentation to LES for review.

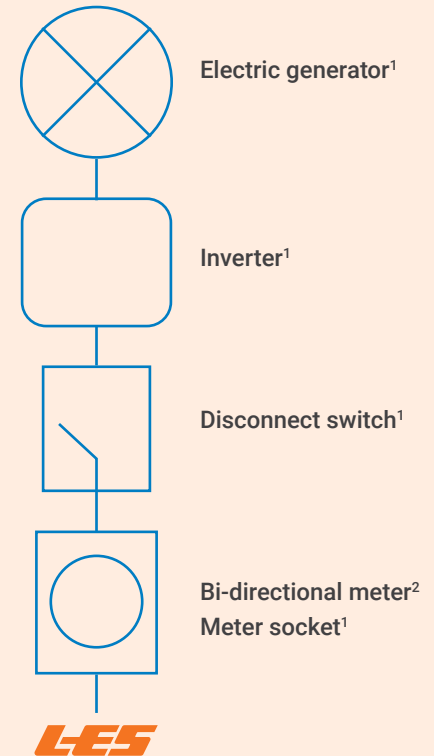
Step 2: Install

- Upon approval of your Application for Review, your installer may begin installation of your renewable generation system including generator, inverter, readily accessible and lockable AC disconnection switch and other equipment as needed.
- You may not interconnect until step 3 is completed as per site inspection and setting of bi-directional meter.

Step 3: Inspections & interconnection

- Your installer will need to request all required city inspections.
- You must submit a signed Renewable Generation Interconnection Agreement.
- Arrange for an LES site inspection by contacting LES at **402.475.4211** or energyservices@LES.com to approve system interconnection, AC disconnect switch and to set a bi-directional meter to measure energy that will be generated by your system.
- Upon successful completion of the LES site inspection, your system will be interconnected and you will receive your one-time capacity payment if your system qualifies and you used a participant in LES' Solar Trade Ally Network.

SAMPLE ONE-LINE DIAGRAM FOR INTERCONNECTION OF CUSTOMER-OWNED GENERATION



¹Customer responsibility

²LES responsibility

